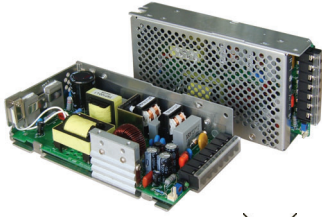




TPS100-150W VK Series



100 W, 150 W

Input:	85 - 264 VAC, 47 - 63 Hz or 120 - 370 VDC
Output:	5 - 56 VDC
Output Power:	100 - 150 W

Electrical Specifications

Input

Input Range:	85 - 264 VAC or 120 - 370 VDC automatically selected
Frequency:	47 - 63 Hz
Power Factor:	0.99
Leakage Current:	< 0.5 mA @ 50/60 Hz, 264 VAC Input

Output

Output Voltage Adjust:	See Table
Hold-up Time:	20 ms @ full Load, 230 VAC
Ripple/Noise:	< 1% of Output Voltage
Output Power:	Max. 110 - 130 %, Constant Current Limited
Protections:	OVP, OTP

Safety, EMC

CE compliance with Low-Voltage Directive 2014/35/EU
 EMC Directive compliance with 2014/30/EU
 Safety compliance with UL508, UL60950-1, EN60950-1

Environmental

Operating Temperature:	0°C - 70°C Ambient (Derating from 50°C - 70°C)
Electromagnetic Susceptibility:	Meet IEC 801, -2, -3, -4, -5, -6, Level 3
Humidity:	5 - 95 %, Non-Condensing
Storage Temperature:	-25°C - 85°C
Altitude:	3000 m
MTBF Demonstrated:	> 350.000/h at full Load at 25°C Ambient

Installation

See Drawing

Accessories and Packing

1 x Power Supply
 1 x Manual

Special Features

- Constant Current Limited
- OTP, OVP, OLP
- TTL Signal for Remote Sense and Remote On/Off
- Convection Cooled
- 5 Years Warranty

Key Applications

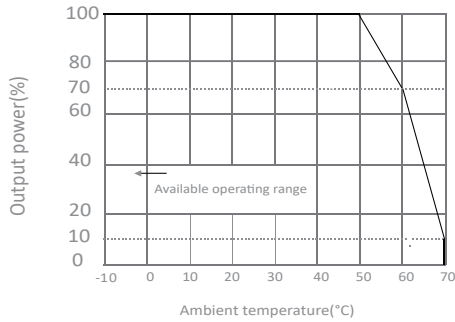
- Inductive Load
- Automation, Alarms and Security
- Switchgear, Controlgear

TPS100-150W VK Series

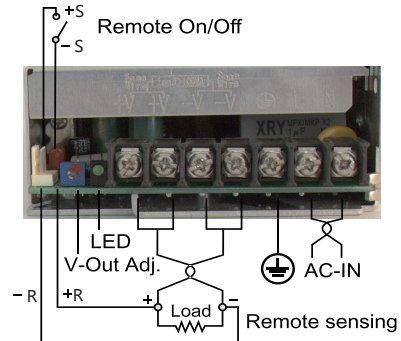


TPS100

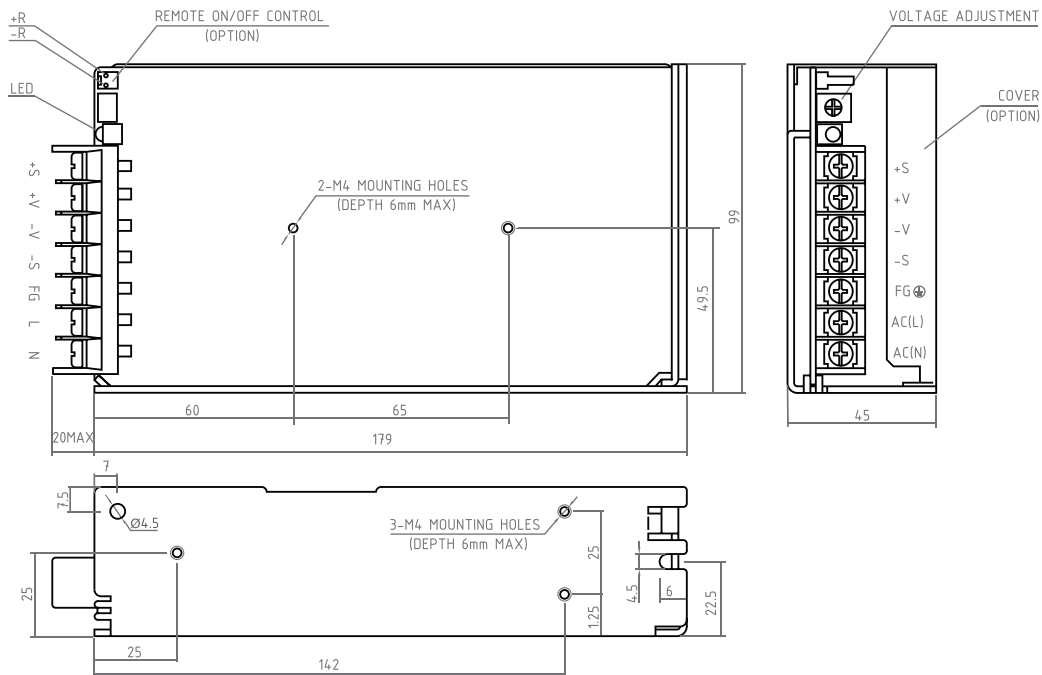
Deratings



Terminal Block and LED Indicator



Mechanical Drawing



Ordering Information

Article No.	Article Name	Voltage (V)	Current (A)	Power (W)	Efficiency
901001616	TPS100-05VK	5 - 6	20	100	86%
901001615-41002	TPS100-12VK	12 - 14.4	8.3	100	86%
901001614	TPS100-15VK	15 - 17	6.66	100	86%
901001612-41005	TPS100-24VK	24 - 28	4.2	100	86%

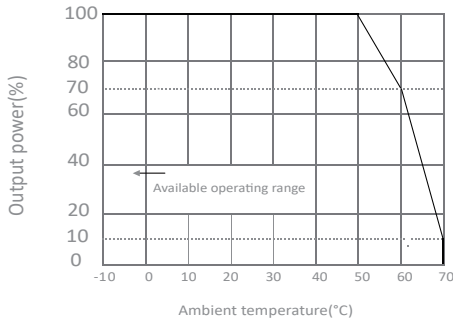
Efficiency measured by Input 220 VAC, full Load

TPS100-150W VK Series

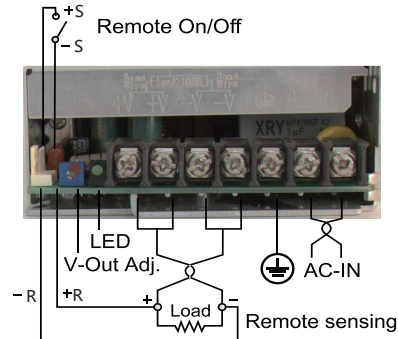


TPS150

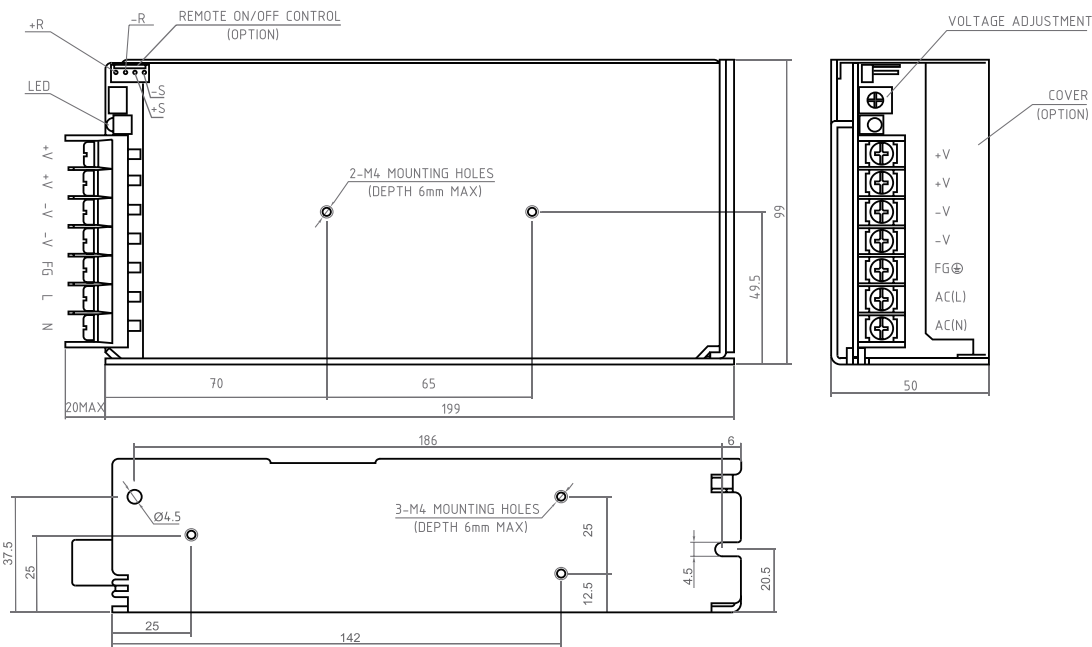
Deratings



Terminal Block and LED Indicator



Mechanical Drawing



Ordering Information

Article No.	Article Name	Voltage (V)	Current (A)	Power (W)	Efficiency
901001700	TPS150-05VK	5 - 6	30	150	86%
901001701	TPS150-12VK	12 - 14.4	12.5	150	86%
901001703	TPS150-15VK	15 - 17	10	150	86%
901001704	TPS150-24VK	24 - 28	6.25	150	86%
901001706-41015	TPS150-48VK	48 - 54	3.2	150	86%

Efficiency measured by Input 220 VAC, full Load



Dieses elektronische Gerät darf am Ende seiner Lebensdauer nicht im Hausmüll entsorgt werden. Zur Rückgabe stehen in Ihrer Nähe kostenfreie Sammelstellen für Elektroaltgeräte sowie ggf. weitere Annahmestellen für die Wiederverwendung der Geräte zur Verfügung. Entsprechende Adressen erhalten Sie von Ihrer Stadt- bzw. Kommunalverwaltung. Sollte das alte Elektro- bzw. Elektronikgerät personenbezogene Daten enthalten, sind Sie selbst für die Löschung dieser Ihrer Daten verantwortlich, bevor sie es zurück geben. Weitere nützliche Informationen finden sie auf: www.elektrogesetz.de

This electronic device must not be disposed of in the household waste at the end of its service life. For your return, there are free collection points for electrical appliances and, if necessary, additional points of acceptance for the reuse of the devices in your area. The addresses can be obtained from your city or communal administration. If the old electrical or electronic device contains personal data, you are responsible for deleting it before you return it. Further information: www.elektrogesetz.de