



DIN RAIL Power Supply

TPS10-100W Green Power Series



10 W, 30 W, 60 W, 100 W

Input: 85 - 264 VAC, 47 - 63 Hz or 120 - 370 VDC
 Output: See Table
 Output: 10 - 100 W
 No Load Consumption: < 0.3 W

Electrical Specifications

Input

Input Range: 85 - 264 VAC or 120 - 370 VDC automatically
 Frequency: 47 - 63 Hz
 Power Factor: Meets EN61000-3-2, EN61000-3-3

Output

Output Voltage adjust: See Table
 Hold-up Time: 20 ms full Load, 230 VAC
 Ripple/Noise: < 1 % of Output Voltage
 Output Power: Max. 110 - 145 % above Peak Rating
 Protections (Auto Recover): Overload Protected by > 110 % Output Current, OVP, OTP

Safety, EMC

CE compliance with Low-Voltage Directive 2014/35/EU
 EMC Directive compliance with 2014/30/EU
 LED Safty certification EN61347-2-13
 Safty compliance with UL508, UL60950-1, EN60950-1
 Case Material Plastic V0 (UL compliant), RoHS

Environmental

Operating Temperature: 0°C - 50°C Ambient (Derating from 50°C - 70°C)
 Electromagnetic Susceptibility: Meet IEC 801, -2, -3, -4, -5, -6, Level 3
 Humidity: 5 - 95 %, Non-Condensing
 Storage Temperature: -25°C - 85°C
 Altitude: 3000 m
 MTBF demonstrated: > 350.000/h at full Load at 25°C Ambient

Mounting

Mounting at DIN RAIL TS 35/7.5 or TS 35/15 vertical
 N, L and DC Terminal: Cable in AWG26 - 14 (0.15 - 2.5 mm²), 300 VAC

Accessories and Packing

1 x Power Supply
 1 x Manual

Special Features

- Compliance with No Load Power and Efficiency V (CEC 2004)
- Certificated EN61347-2-13
- Profile following to IEC439-1 for Low-Voltage Switchgear and Controlgear
- Parallel and Serial Function
- Convection Cooled
- IP 20 Double Insulation
- 5 Years Warranty

Key Applications

- Buildingautomation
- Alarms and security
- LED Lighting
- Environment Control Systems

Ordering Information

Article No.	Article Name	Voltage (V)	Current (A)	Power(W)	Efficiency
901003419-42388	TPS010-GP12V	12 - 15	0.85	10	80 %
901003420-42369	TPS010-GP24V	24 - 28	0.42	10	80 %
901003519-42389	TPS030-GP12V	12 - 15	2.5	30	84 %
901003520-42372	TPS030-GP24V	24 - 28	1.25	30	85 %
901003619-42390	TPS060-GP12V	12 - 15	4.5	54	87 %
901003620-42373	TPS060-GP24V	24 - 28	2.5	60	87 %
901003720-42391	TPS100-GP12V	12 - 15	6	72	87 %
901003721-42374	TPS100-GP24V	24 - 28	4.2	100	89 %

1. Output in 48 VDC Optional
2. Efficiency at 220 VAC by max. Load

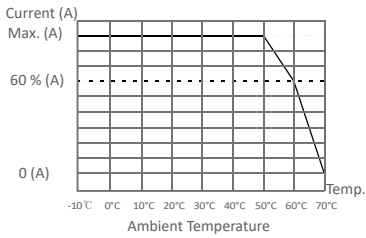
DIN RAIL Power Supply

TPS10-100W Green Power Series

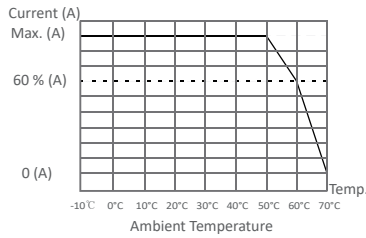


Deratings

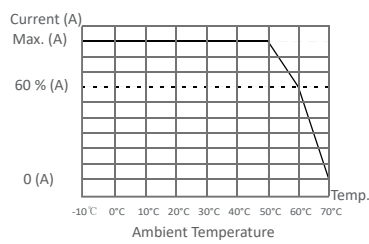
TDR10-Series



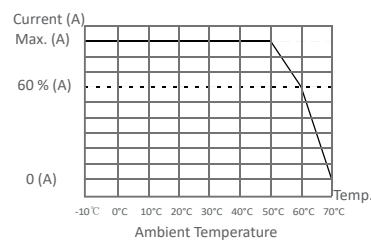
TDR30-Series



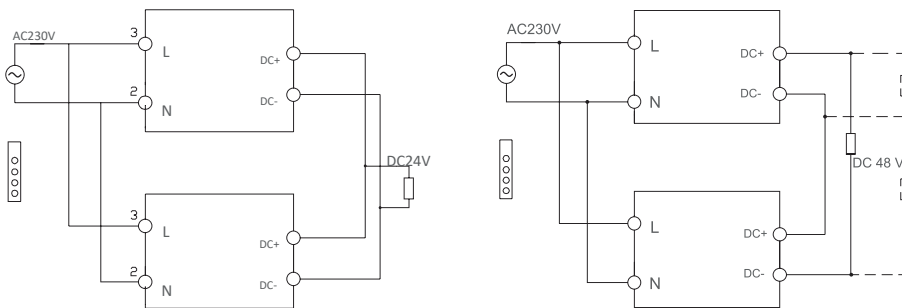
TDR60-Series



TDR100-Series



Parallel and Serial Function Application



Mechanical Drawing (mm), Terminal Block and LED Indicator

