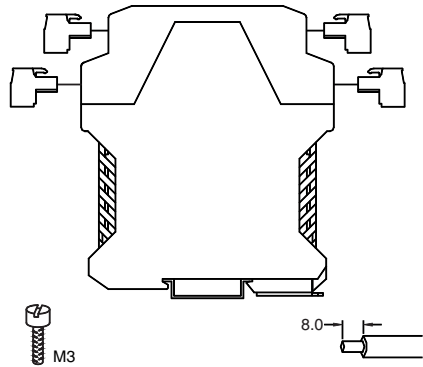


■ Connections

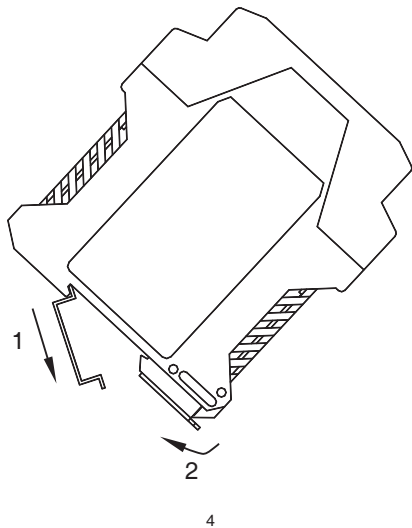
- (1) The isolators adopt knock-down terminals.
- (2) The wires are single or multiple cables with cross section of 0.5 mm²~2.5mm².
- (3) A length of 8mm bared wire is locked by the M3 bolt, As shown in figure.



■ Installation

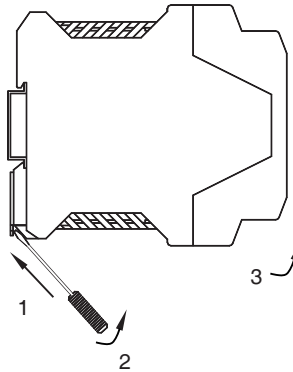
Mount the module on a 35mm DIN rail

- (1) Make the upside of the isolator to the rail;
- (2) Push the downside of the isolator towards the rail.



■ Disassembly

- (1) Use a screwdriver (edge length ≤ 6mm) insert the metal lock which at the downside of the isolator;
- (2) Push the screwdriver upwards, and pull the metal lock downwards;
- (3) Take out the isolator from the rail.



■ Maintenance

- (1) Every product has been tested strictly before delivery. If users find any abnormality, please contact the nearest agent or our company.
- (2) In 5 years from delivery date, if the product performs abnormally under normal use conditions, we will repair it for free.

Isolator

CZ3047T
CZ3035T
CZ3036T



TPS Elektronik GmbH * Senefelder Str. 8 *
41066 Mönchengladbach * www.tps-elektronik.de *
office@tps-elektronik.de * +49(0)21 61 - 49 52 6 - 0



SHANGHAI CHENZHU INSTRUMENT CO.,LTD.

Add: Building 6, 201 Minyi Road, Caohejing Hi-Tech Park
Songjiang New Industrial Park, Shanghai 201612, P.R. China
Tel : +86-21-64513350 Fax : +86-21-64846984
Email : chenzhu@chenzhu-inst.com
<http://www.chenzhu-inst.com>

Please read the instruction manual carefully before use the product, and please safekeeping.

⚠ Caution

- Please check whether the product type on the package accords to the ordering contract;
- Read this manual carefully before installation or using. If there is something unclear, please dial technic support hotline-400 881 0780;
- Supply voltage is 24VDC, 220VAC is forbidden;
- Users are not allowed to dismantle or repair the Isolator otherwise it will induce malfunction.

■ Summarize

Analog input distribution isolator, provides isolated power for 2-wire or 3-wire transmitters which located in field. Transfer 0/4~20mA(or current source) which generated by transmitters and output isolatedly through loop powered. This product need an independent power supply. The power supply, input circuit and output are each galvanically isolated.

■ Specification

Number of channels: 1 (CZ3047T)

1/2(CZ3035T)

2 (CZ3036T)

Supply voltage: 20~35V DC

Current consumption: (at 24V DC supply, 20mA output)

≤40mA(CZ3047T)

≤45mA(CZ3035T)

≤80mA(CZ3036T)

Input: Current: 0/4~20mA

Distribution voltage: 17.5~25V, current <35mA

Maximum current: <35mA

Output: Current: 0/4~20mA

Output loop-powered: $U_e=12-30V$ DC

Load resistance: $R_L=(U_e-5)/0.02$

Output accuracy: 0.1%F.S.

Temperature drift: 0.005%F.S./°C

Response time: Reach 90% of final value in 0.5ms

Power supply protection:

Protect the product from reverse supply voltage destroy

Electromagnetic compatibility: According to IEC 61326-1(GB/T 18268)

Dielectric strength:

1500V AC;1minute(among power supply ,input and output)

Insulation resistance:

≥100MΩ;500V DC(among power supply,input,output and the shell)

Weight: Approx.100g(CZ3047T)

Approx.150g(CZ3035T,CZ3036T)

Suitable IS apparatus:

2-wire transmitter,3-wire transmitter, current source

■ Operation Conditions

(1). The air should not contain any medium corrupting the coat of chrome, nickel and silver. Moreover, violent quiver and impact or any cause of electromagnetic induction (such as big current or spark, etc.) must be avoided when using.

(2). Operating temperature: -20°C~+60°C

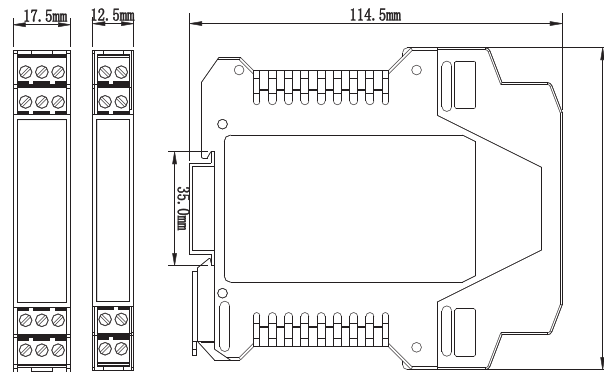
(3). Storage temperature: -40°C~+80°C

(4). Relative humidity: 10%~90%

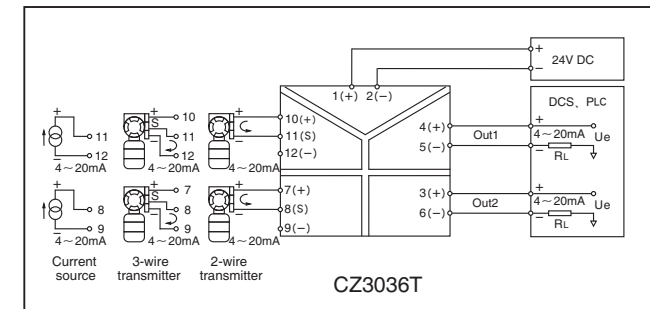
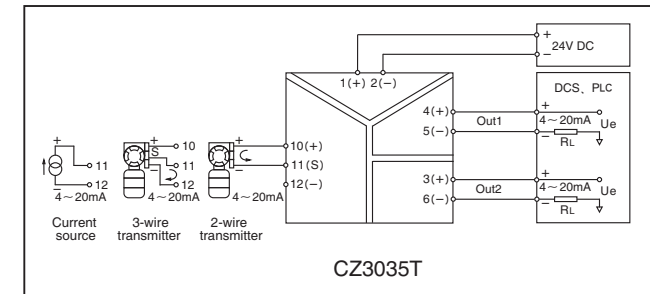
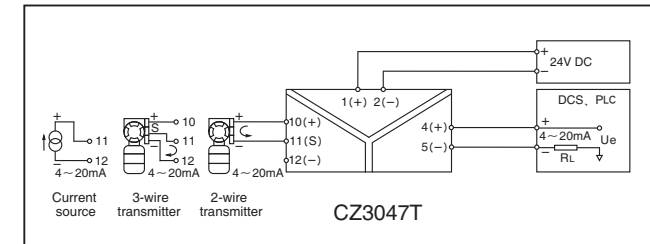
■ Dimensions

114.5mm×99.0mm×12.5mm(CZ3047T)

114.5mm×99.0mm×17.5mm(CZ3035T,CZ3036T)



■ Application



TPS Elektronik GmbH * Senefelder Str. 8 *
41066 Mönchengladbach * www.tps-elektronik.de *
office@tps-elektronik.de * +49(0)21 61 - 49 52 6 - 0