



Charger for Lead-Acid Battery



Charger for 12 V - 48 V Wet Cell and VRLA Battery

TPS-TBI Series applicate IUoU 2 and 3-Steps Charging Curve Maintenance-Free VRLA Batteries (AGM, GEL). Ensure that there is sufficient Air Circulation and a dry Environment when Charging a Battery.

The Charging Voltage is set up under 25°C Ambient Temperature by TPS. Ambient Temperature for Charging should be between 10°C - 30°C.

On special request this Charger Series is available with a Battery Refresher assembling included. (36 Volt Battery is excluded) The Battery Refresher (Page 31) avoids Sulfation of Rechargeable Lead Batteries (Lead-Acid, AGM, Gel with Capacity to 300 Ah) and works with Puls to Preventing Crystallization. The Battery Life will extend up to three Times longer than usual.

Special Features

- Prevent Lead Sulfate Crystals on Electrode Surface
- Check Battery Voltage automatically for Charging Start
- Reverse Polarity Protection
- Short Circuit Protection
- LEDs indicate Charging Status
- 5 Year Warranty

Key Applications

- Wheelchairs, Scooter
- Cars, Trucks, Caravan

Accessories

- Charger
- Manuel
- XLR - Output Connector



Electrical Specifications

Characteristic:	IUoU (after 12/h Switching to Floating Charging)
EMC:	EN 55014, EN 55022, EN 61000
Class of Protection:	I for TBI ≤ 40 W - 350 W II for TBI 30 W
Main Voltage:	100 – 240 VAC, 50/60 Hz
Nominal Voltage:	12 V - 48 V
Refresher Impuls:	8.3 KHz
Operating Temperature:	10°C - 30°C
Storage Temperature:	-10°C - 70°C

Safety, EMC

CE compliance with Low-Voltage Directive 2014/35/EU
EMC Directive compliance with 2014/30/EU
Safety compliance with UL508, UL60950-1, EN60950-1

Ordering Information

Article No.	Article Name	Rated Bat. Voltage (V)	Charging Voltage (V)	Current (A)	Power (W)	Battery Typ
901002904-42208	TPS030-CH12-2.5	12	14.4	2.5	30	AGM,GEL
901002905-42209	TPS030-CH24-1.25	24	28.8	1.25	30	AGM,GEL
901000405-42210	TPS060-CH12-5	12	14.4	5	60	Wet,AGM,GEL
901000406-42211	TPS060-CH24-2.5	24	28.8	2.5	60	Wet,AGM,GEL
901000509-42242	TPS150-CH12-12	12	14.4	12	150	Wet,AGM,GEL
901000510-42212	TPS150-CH24-6	24	28.8	6	150	Wet,AGM,GEL
901000605-42243	TPS200-CH12-16	12	14.4	16	200	Wet,AGM,GEL
901000604-42213	TPS200-CH24-8	24	28.8	8	200	Wet,AGM,GEL
901000606-42214	TPS300-CH24-12	24	28.8	12	300	Wet,AGM,GEL
901000613	TPS300-CH36-8	36	43.2	8	300	Wet,AGM,GEL
901000607-42245	TPS300-CH48-6	48	57.6	6	300	Wet,AGM,GEL
901000615-42289	TPS400-CH48-7	48	57.6	7	400	Wet,AGM,GEL
901000616-42490	TPS800-CH48-14	48	57.6	14	800	Wet,AGM,GEL

NOTE:

1. If Battery is not fully charged after 14/h, Reason could be Charger too weak or Battery Defective
2. Rule of Thumb: Charging Current = Battery Capacity 8 - 10. For Example 10 - 12 A Charger is suitable for 60 Ah Battery



Dieses elektronische Gerät darf am Ende seiner Lebensdauer nicht im Hausmüll entsorgt werden. Zur Rückgabe stehen in Ihrer Nähe kostenfreie Sammelstellen für Elektroaltgeräte sowie ggf. weitere Annahmestellen für die Wiederverwendung der Geräte zur Verfügung. Entsprechende Adressen erhalten Sie von Ihrer Stadt- bzw. Kommunalverwaltung. Sollte das alte Elektro- bzw. Elektronikgerät personenbezogene Daten enthalten, sind Sie selbst für die Löschung dieser Ihrer Daten verantwortlich, bevor sie es zurück geben. Weitere nützliche Informationen finden sie auf: www.elektrogesetz.de

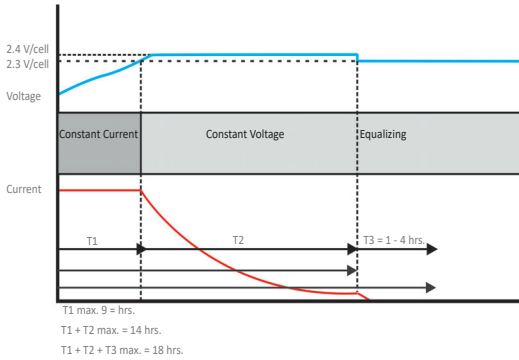
This electronic device must not be disposed of in the household waste at the end of its service life. For your return, there are free collection points for electrical appliances and, if necessary, additional points of acceptance for the reuse of the devices in your area. The addresses can be obtained from your city or communal administration. If the old electrical or electronic device contains personal data, you are responsible for deleting it before you return it. Further information: www.elektrogesetz.de

Charger for Lead-Acid Battery

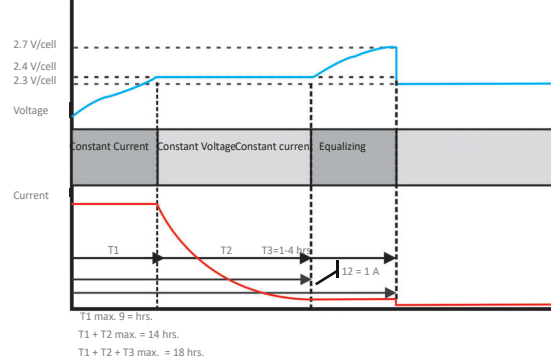


IUoU—Charging Curve

AGM and Gel Batteries



Wet Batteries



LED Indicator 30 W

Red	Green	Yellow	Status Description
—			● Reverse Polarity Connected
	---		● Cell > 90 % fully Charged, Hysteresis
	—		● No Cell Connected
		—	● Charging

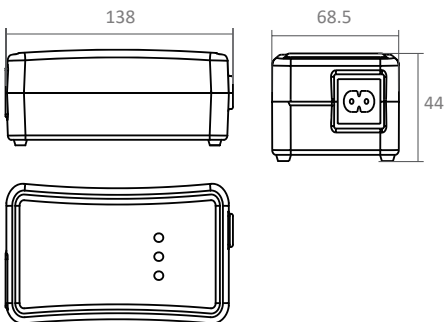
LED Indicator



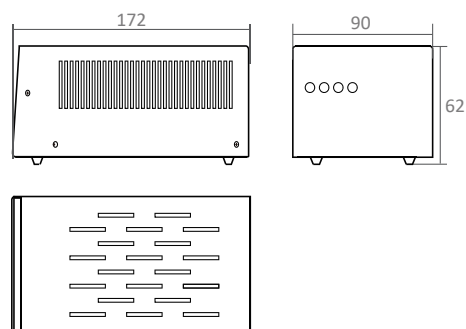
Red	Green	Yellow	Status Description
—			● OVP (12 V-Charger with 24 V-Battery Connected) or ● Reverse Polarity Connected
	---		● Unit too Hot (Overtemperature in Unit)
	—		● No Battery Connected
	---		● Charging Power Low or Battery Defective
		—	● Charging
		---	● Battery > 90 % fully Charged, Floting Charging begins

Mechanical Details

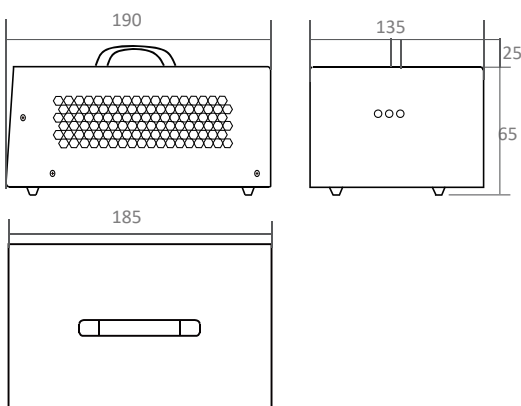
CH TPS30W



CH TPS60W



CH TPS150W



CH TPS300W

